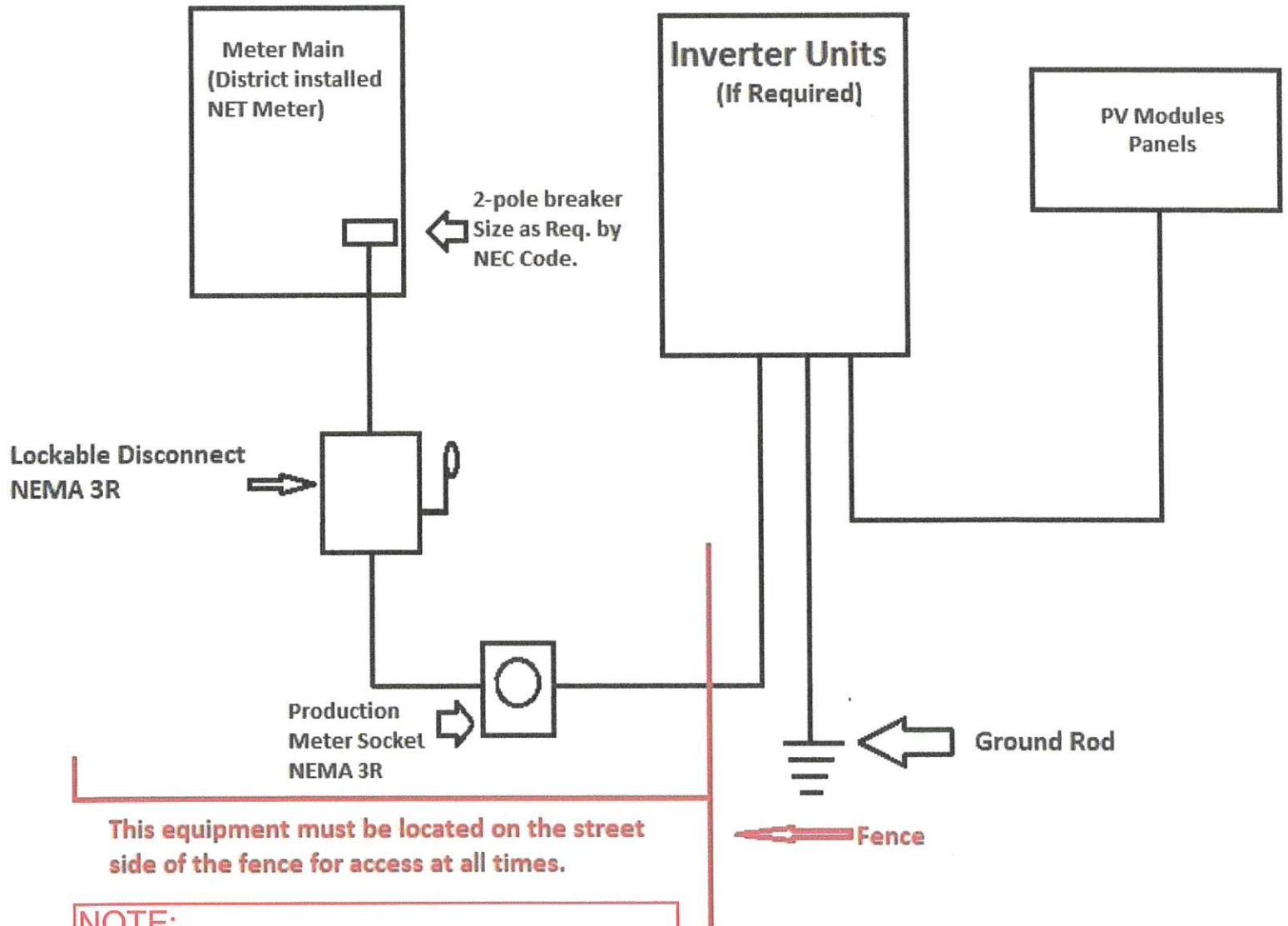


# TYPICAL INSTALLATION SCHEMATIC



**NOTE:**  
All electrical equipment must be mounted a minimum of 36", measured in a horizontal direction, from gas riser. **NO EXCEPTIONS**

Revised 2/20/2020